

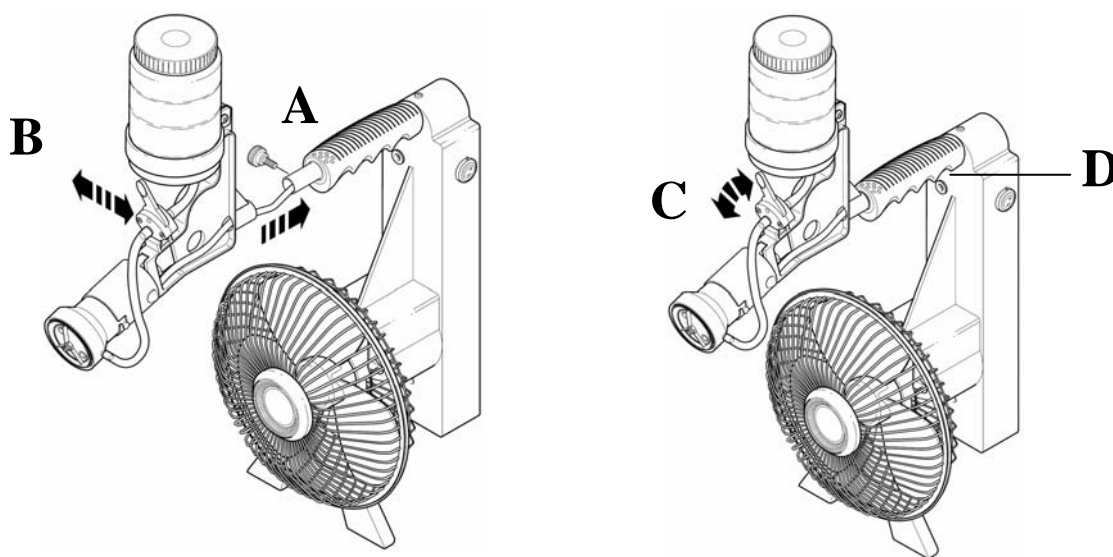
INSTRUCTION MANUAL

ROFA-2005 CDA SPRAYER

Instruction for ROFA-2005 Sprayer

The fully charged battery allows an application for approx. 60 minutes.

The complete equipment: ROFA-2005 complete with integrated
12 V - 2,2 Amp. battery,
½ litre tank
Valve blue
or blue/orange
or red
Battery-Charger 230/12 V or 110/12 V



ROFA-2005

Colour code	Target	Flow at 20 ° C
Valve blue	flying insects	approx. 19,0 ml/min
Valve orange	crawling insects	approx. 40,0 ml/min
Valve red	LOGO BIRD FREE WS 40 undiluted REJEXIT WS 40 undiluted	approx. 19,5 ml/min

Preparing for spraying

- Push the atomiser extension onto the connector and fasten it securely by tightening the knurled screw.
- Choose the appropriate valve for your spraying needs, push the slide into the seating and carefully attach the tubes on both sides.
- The lever operates the shut-off function as well as the dosing of the chemical.

D. Charging the battery

Plug cable into socket first, then charger into power supply 110 V/60 Hz or 230 V-50 Hz.
Recharging will take approx. 12 hours.
Always store battery fully charged.
If not in use recharge monthly for approx. 2 hours.

Cleaning

ATTENTION!

Always clean sprayer carefully after use.

Parts of the ULV-Sprayer should **NEVER** be cleaned with a high-pressure water source.

Electronic parts could be destroyed.

USER SAFETY RECOMMENDATIONS

- Always observe the safety recommendations for user protection in the "directions for use" of the chemical and wear the recommended personal protective equipment.
- Do not eat, smoke or drink when working with pesticides.
- Dispose of excess pesticide mix and rinse in accordance with label instructions.
- Always keep pesticides and applicators out of the reach of children.
- After use, thoroughly clean the applicator and allow to dry completely.

SET-UP AND OPERATION OF THE APPLICATOR

BATTERY USE AND CARE

Always start the day with a fully charged battery.

Connect charger plug to battery socket before connecting charging unit to 230 or 110 V outlet. Battery is fully charged in 12 hours. After charging, remove charging unit plug from 230 V outlet, then remove plug from battery socket. Recharge battery after each use and store in fully charged condition. Failure to do so reduces the service life of the battery.

Battery Condition	Charging Time with 300 mA	When to Charge
Totally discharged	12 Hours	immediately after use
Normal usage	6 Hours	immediately after use
Off season storage	2 Hours	monthly

Total spraying time is approx. 60 minutes.

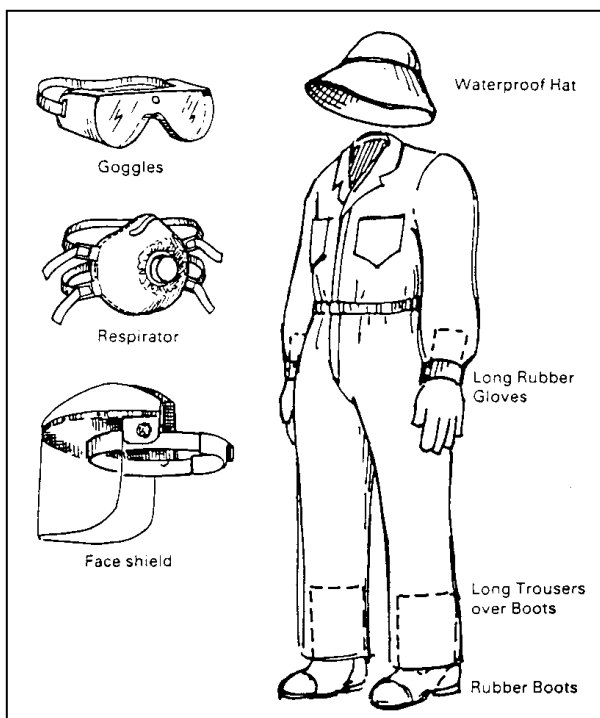
Atomiser and fan are powered by the rechargeable battery. The fluid metering is handled by a dosing diaphragm. The droplets are formed by the centrifugal force of the atomiser.

Flow rate can be affected by temperature fluctuations, therefore the flow rate specified in the calibration table has to be checked and working speed adjusted if necessary. Check the atomiser daily to be sure it is clean and operating smoothly.

CAUTION

Switch on the sprayer first and then open the shut-off valve

Fill tank, switch sprayer on and open the shut-off valve. Be sure you understand all the functions of the sprayer before starting treatment.



Recommended user protection

Calibration, sprayer off

When spraying, the sprayer should be directed backwards and held as far away from the operator as possible.

Attention!

Never move into the spray mist.

Start spraying on the most distant point and move towards the exit.

Cleaning

Clean the sprayer after each application thoroughly. Empty the chemical from the tank into the original container, fill water and approx. 5 % detergent into the tank and start the sprayer, until tubes and atomiser are clean and only cleaning fluid emerges from the atomiser.

Recharge battery.

Store sprayer in a dry place.

